

THSK

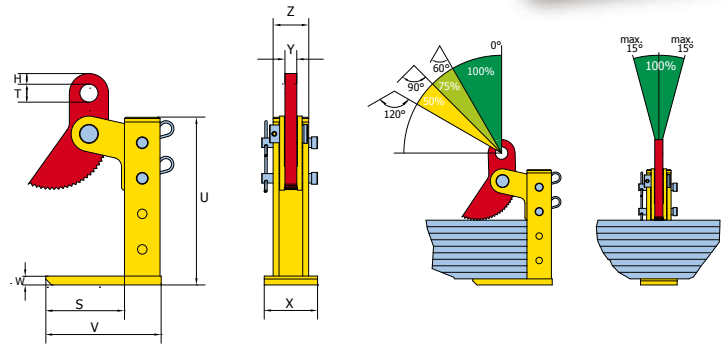
Adjustable extra large jaw opening for stacks, packages, and thick single plate lifting

Application:

- For horizontal lifting, handling, and transporting of banded/secured stacks, packages and or single thick steel plates
- Terrier THSK lifting clamps must always be used in pairs (or multiples thereof)
- Adjustable jaw offers wide variety of openings available from .11 to 16.53 in.
- Working load limit (WLL) 3,300 - 19,800 lbs per pair (Higher WLL available upon request)

Features and Benefits:

- Easy adjustable jaw opening
- Quick and easy placing and removing of the clamp
- Lightweight design for easy handling
- Tough quality heavy-duty welded body
- Maintenance-friendly. Easy to exchange parts are available upon request



Terrier THSK lifting clamps must always be used in pairs (or multiples thereof)

Reference No.	Type	Capacity/WLL		Jaw opening (R) (inches)	Dimensions in inches										Weight (lb/pc)
		(lb/pc)	(lb/pair)		V	S	W	T	H	U	X	Z	Y		
815180	1.5 THSK/180	1,650	3,300	0.11 - 7.08	7.91	5.31	0.59	1.20	0.71	11.38	3.54	2.36	0.79	21	
815300	1.5 THSK/300	1,650	3,300	0.11 - 11.81	7.91	5.31	0.59	1.20	0.71	16.10	3.54	2.36	0.79	24	
830180	3 THSK/180	3,300	6,600	0.11 - 7.08	9.49	6.50	0.79	1.20	0.71	11.65	4.13	2.72	0.79	29	
830300	3 THSK/300	3,300	6,600	0.11 - 11.81	9.49	6.50	0.79	1.20	0.71	16.38	4.13	2.72	0.79	33	
845180	4.5 THSK/180	4,950	9,900	0.11 - 7.08	9.49	6.50	0.79	1.20	0.71	11.65	4.13	2.72	0.79	29	
845420	4.5 THSK/420	4,950	9,900	0.11 - 16.53	9.49	6.50	0.79	1.20	0.71	21.10	4.13	2.72	0.79	37	
860180	6 THSK/180	6,600	13,200	0.11 - 7.08	10.08	6.30	0.98	1.20	0.71	11.97	4.72	2.95	0.79	40	
860420	6 THSK/420	6,600	13,200	0.11 - 16.53	10.08	6.30	0.98	1.20	0.71	21.42	4.72	2.95	0.79	52	
890180	9 THSK/180	9,900	19,800	0.11 - 7.08	10.08	6.30	0.98	1.20	0.71	11.97	4.72	2.95	0.79	40	
890420	9 THSK/420	9,900	19,800	0.11 - 16.53	10.08	6.30	0.98	1.20	0.71	21.42	4.72	2.95	0.79	52	

FHX-V

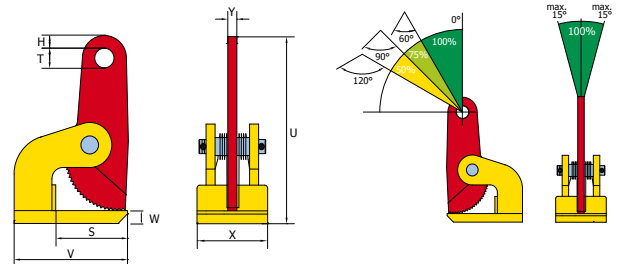
User-friendly horizontal clamp with torsion spring that ensures the clamp will stay in position after it has been set in place

Application:

- For horizontal lifting and transporting of steel plates and other non-deflecting materials
- Terrier FHX-V lifting clamps must always be used in pairs (or multiples thereof)
- Jaw openings available from: 0 to 2.36 in.
- Working load limit (WLL) 2,200 - 13,200 lbs

Features and Benefits:

- Pre-tensioned spring cam feature for easy single operator usage
- Clamp can be closed and fixed on any desired spot
- Compact and lightweight design for easy handling
- Tough quality heavy-duty welded body
- Maintenance-friendly. Easy to exchange parts are available upon request



Terrier FHX-V lifting clamps must always be used in pairs (or multiples thereof)

Reference No.	Type	Capacity/WLL		Jaw opening (R) (inches)	Dimensions in inches								Weight (lb/pc)
		(lb/pc)	(lb/pair)		V	S	W	T	H	U	X	Y	
953101	1 FHX-V	1,100	2,200	0 - 1.37	5.51	3.90	0.39	1.04	0.47	7.40	3.35	0.59	7
953201	2 FHX-V	2,200	4,400	0 - 2.36	7.09	4.49	0.59	1.20	0.75	11.26	4.92	0.63	18
953301	3 FHX-V	3,300	6,600	0 - 2.36	7.87	4.92	0.79	1.20	0.75	11.89	5.51	0.79	27
953401	4 FHX-V	4,400	8,800	0 - 2.36	8.66	5.47	1.18	1.20	0.75	12.44	6.50	0.79	38
953601	6 FHX-V	6,600	13,200	0 - 2.36	8.66	5.47	1.18	1.20	0.75	12.44	6.50	0.79	38